

Grain harvesting combine

GS12A1



Comfort and technology GS12A1

LUX CAB



A comfortable workplace is a must have for every operator. That is why "Gomselmash" analyzed the wishes of farmers from across the world and developed a comfortable cabin of a new generation LUX CAB, in which special attention is paid to the workplace ergonomics and the interior.

The powerful lighting system of working area LED VISION provides an excellent visibility when working at night. Also, the location of the side mirrors in LUX CAB has become more convenient.

The air suspension seat improves productivity and reduces operator fatigue. Multiple seat adjustments, a new steering column and steering wheel allow you to set up a comfortable working position and achieve maximum performance throughout the shift.

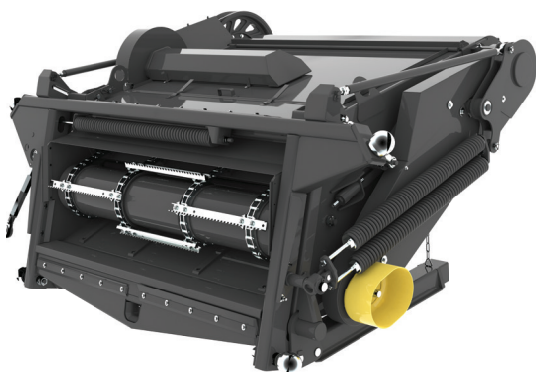
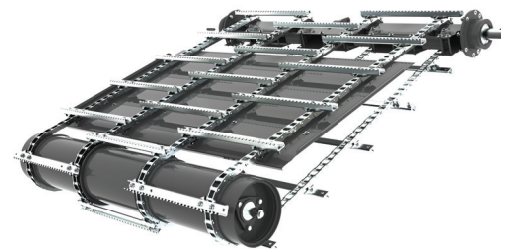
Also, to facilitate and increase the efficiency of your work, the combine has a system that allows you to adjust the working parts of the combine from the cab (threshing drum speed, concave clearance, fan speed) when changing crops.



The ergonomic U-PAD combine control panel, modern MULTI GRIP joystick and on-board computer HARVEST OFFICE with a color touch screen assist in choosing the most optimal combine settings depending on the current conditions, while ensuring simplicity and convenience in operation. The HARVEST OFFICE system gives you the opportunity to simultaneously control the combine and provide real-time monitoring of the state of its main functional units, control the working parts, engine, transmission, the progress of work and service operations, and also inform you about the presence of warning and emergency situations.

Feed system for all harvesting conditions

You get a reliable and steady start of the grain mass and the ability to work with the minimum downtime during the most difficult period of harvesting. It's possible thanks to the chain-and-slat conveyor installed in the feeder housing using high-quality alloy steel chains.



The extended lower shaft lever makes it possible to forget about the control of the voltage of the chains under various harvesting conditions.

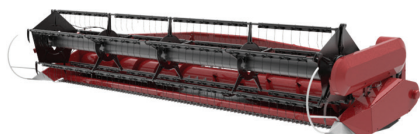
Harvesting difficult crops is made easier as the hydraulic reverse feature allows you to harvest in a shorter time, saving you time cleaning the feeder housing and adapter.

The hydraulic multi-coupling for adapters reduces aggregation time and makes this process less time-consuming.

Productivity, versatility, gentle threshing, harvesting of high-straw and wet grain, simplicity are the undeniable advantages of the GS12A1 combine, which make it the most demanded in its class. Choosing this combine model, you can be sure that you will get a time-tested reliable harvester.



Versatility when working on different crops



Headers for harvesting grain crops and soybean BARST / TANZER



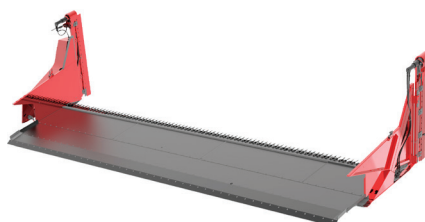
Conveyer header DIVERS, grain swath header STRIVER



Grain pick-ups LAGARD



Sunflower headers SUNRISE / TURON



Rapessed cutterbar table



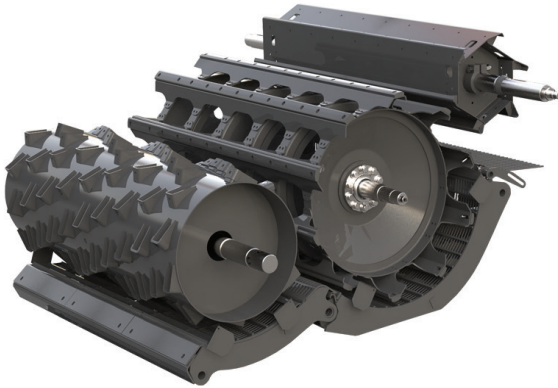
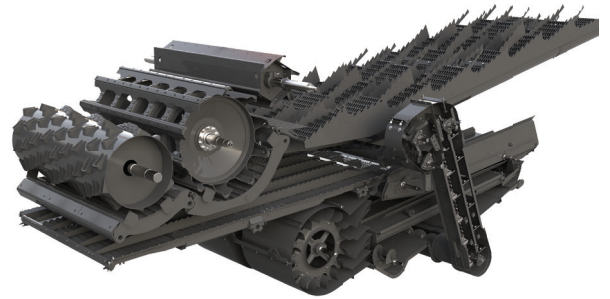
A set of equipment for harvesting corn for grain STORK



Gentle threshing and clean separation

The base of the GS12A1 combine is the classic TWIN DRUM-FLOW threshing and separation system, which has repeatedly proven its efficiency on any agricultural background and harvested crops.

The productivity of the GS12A1 combine is achieved by accelerating the flow of grain mass by an accelerator drum in front of the threshing drum. The increased volume of the drums, in combination with the increased area of the double concave, allowed to make the threshing path longer, and the threshing more gentle.

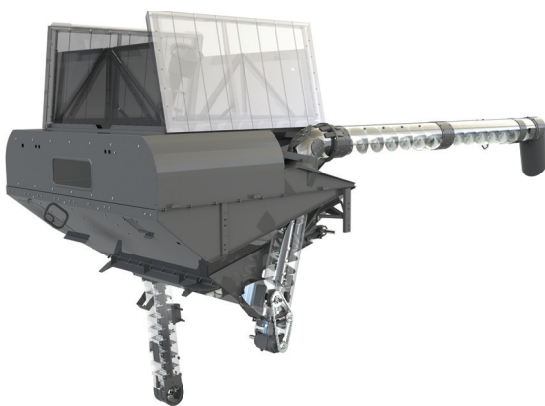
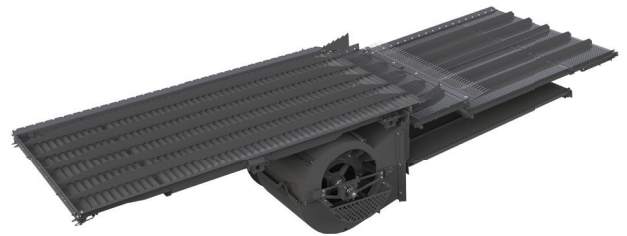


Moreover, the accelerator drum evenly spread the mass, reducing the load on the threshing drum and the main concave. That's why you get stable and efficient threshing, providing the combine an advantage when harvesting wet crops.

The GS12A1 combine is designed for harvesting in the most extremely harvesting conditions, when there is a possibility of concave clogging. To solve this problem, the GS12A1 combine is equipped with the DRUM RESET system, with which you can quickly and effectively eliminate the formed clogging without stopping the threshing drum. The DRUM RESET function is activated by the pedal right under the seat. This operation takes only few seconds.

A cleaning sieves of an impressive area, three cleaning cascades, a powerful fan with a uniform distribution of air flow over the sieves – such a cleaning system satisfies the highest requirements for the purity of the obtained grain.

The presence of seven cascades with an optimal height difference on each of the five straw walker keys and a large amplitude of the keys movement improve the separation of grain from the straw heap, maintain stable performance and reduce losses.



Optimal unloading

9 500 litres grain tank equipped with a vibro bottom, is optimally suited for medium-sized farms with field yields 30-45 centner per hectare.

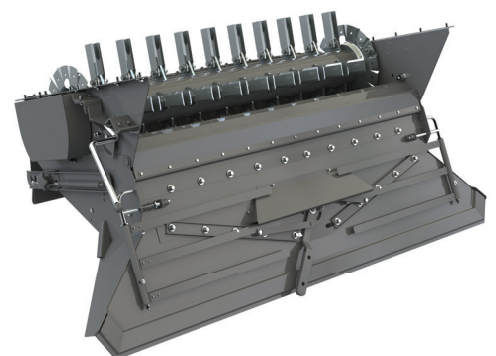
A full grain tank is emptied in less than 2 minutes thanks to an unloading speed of 90 l/s. There is no need to wait for optimal grain moisture! With the help of the STICK CONTROL system, you can harvest high-moisture grain, thereby reducing the downtime of your machines.

The height and length of the unloading auger make it easy to unload grain into vehicles, even on combines with 9 meters headers.

Required chopping result without complications

The time-proved OPTI-CUT 80 straw chopper with an optimal number of 80 blades ensures consistently high quality chopping and spreading of the non-grain part of the crop without the use of additional functions.

The use of a balancing disc and a floating bearing support increases the reliability of the straw chopper, reduces axial stress and thus increases the life of the bearings, saving your time and money.



TECHNICAL CHARACTERISTICS

Model	GS12A1 PRO	GS12A1 PROFI
Engine		
Engine model	YaMZ-238	
Nominal engine power, kW / h.p.	243 / 330	
ARC-SYSTEM	-	•
Fuel tank capacity, l	600	
Feeder housing		
Feeder housing type	chain-and-slat	
Reverse	hydraulic	
Hydraulic multi-coupling	•	
DUST CONTROL	•	
Threshing system		
Threshing unit type	drum	
Threshing drum width, mm	1 500	
Threshing drum diameter, mm	800	
Accelerating drum diameter, mm	600	
Rotation speed of threshing drum (with reduction gear), rpm	440...875 (185...368)	
Concave area, m ²	2.39	
Concave wrap angle, °	213	
Reduction gear	○	•
Separation and cleaning system		
Separation type	straw walker	
Straw walker, pcs	5	
Length of straw walker key, mm	4 100	
Separation area, m ²	6.15	
Total sieve area, m ²	5.0	
Cleaning fan rotation speed, rpm	318...960	
Grain tank		
Grain tank volume, m ³	9.5	
STICK CONTROL vibro bottom	•	
Height of unloading auger, mm	4 200 / 4 600	
Unloading rate, l/s	90	
Straw processing		
OPTI-CUT straw chopper	•	
Straw chopper knives, pcs	80	
UNI-SPREADER	-	•
Cabin		
LUX CAB	•	
ALS-SYSTEM	○	•
Autopilot system	○	
Running gear		
Operating speed, km/h	8	
Road speed, km/h	20	
Road clearance, mm	330	
All-wheel drive	○	
Overall dimensions and weight of combine without header		
Length / width / height, mm	8 750 / 3 650 / 4 000	
Weight, kg	14 450	
Headers		
BARST grain header, m	6.0; 7.0; 9.2	
TANZER multicrop header with flexible knife bar, m	6.0; 7.0; 9.2	
STRIVER grain swath header, m	9.2	
DIVERS conveyer header, m	9.0	
STORK corn header, rows / m	6; 8 / 4.2; 5.6	
TURON sunflower header, rows / m	8 / 5.6	
SUNRISE rowless sunflower header, m	7.0; 8.4	
Rappeded cutterbar table, m	6.0; 7.0; 9.2	
LAGARD grain pick-up, m	3.4; 4.4	

• serial / ○ option / – not available



GOMSELMASH

Machinery of agribusiness leaders

OJSC "Gomselmash"
Shosseynaya str. 41
246004 Gomel
Republic of Belarus
E-mail: post@gomselmash.by
www.gomselmash.by



Management of sales and service center:
Tel.: +375 232 592231; 530852

Sales departments of agricultural machinery:
Republic of Belarus
Tel.: +375 232 592302; 538661

Russian Federation
Tel.: +375 232 592022; 530841

Near abroad countries
Tel.: +375 232 591526; 591460

Far abroad countries
Tel.: +375 232 591330; 530216

Sales department of spare parts:
Republic of Belarus
Tel.: +375 232 592237; 591180

Export
Tel.: +375 232 591310; 591574

Service and maintenance department
Tel.: +375 232 530440